

## CYLINDRICAL GRAPHS

Identify by letter the graph that corresponds to each of the following functions.

$$r = \cos z$$

1.  $0 \leq \theta \leq 2\pi$  \_\_\_\_\_  
 $-2\pi \leq z \leq 2\pi$

$$r = \cos z \cdot \cos 2\theta$$

2.  $0 \leq \theta \leq 2\pi$  \_\_\_\_\_  
 $0 \leq z \leq 2\pi$

$$r = z$$

3.  $0 \leq \theta \leq 2\pi$  \_\_\_\_\_  
 $0 \leq z \leq 3$

$$r = \cos 3\theta$$

4.  $0 \leq \theta \leq 2\pi$  \_\_\_\_\_  
 $0 \leq z \leq 3$

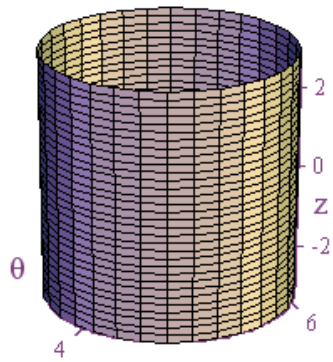
$$r = \theta$$

5.  $0 \leq \theta \leq 2\pi$  \_\_\_\_\_  
 $-3 \leq z \leq 3$

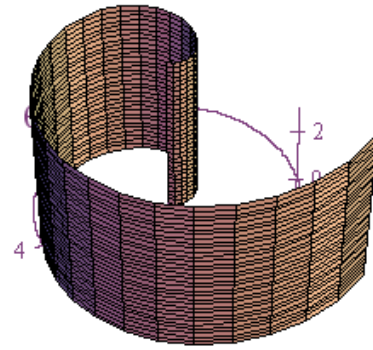
$$r = 3$$

6.  $0 \leq \theta \leq 2\pi$  \_\_\_\_\_  
 $-3 \leq z \leq 3$

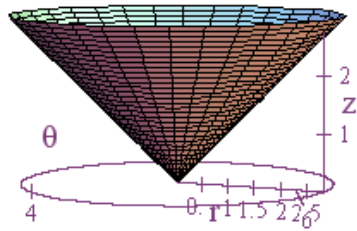
# CYLINDRICAL GRAPHS



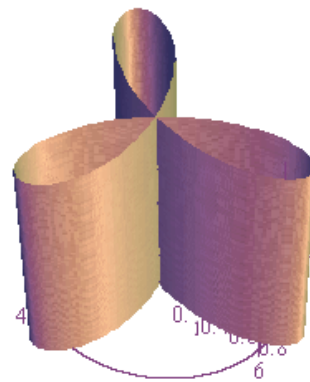
a.



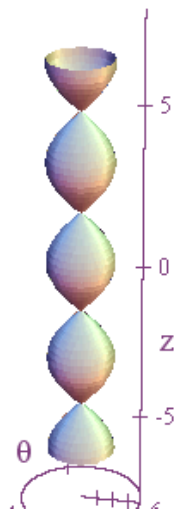
b.



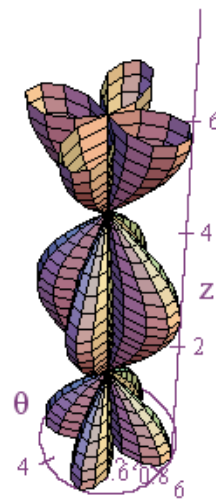
c.



d.



e.



f.